

# PARKER 'V' Type JAW CRUSHERS

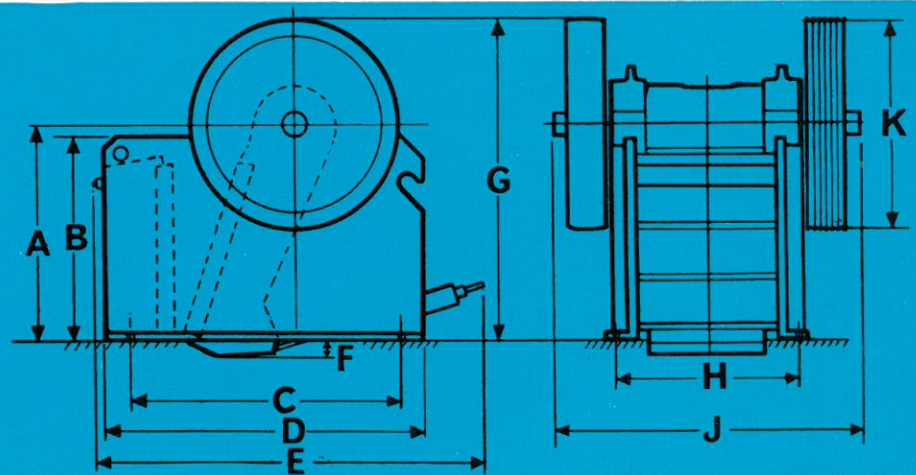
## APPROXIMATE HOURLY CAPACITIES (100% CRUSH)

Size of mouth		To minus 1" (2.54 cms)			To minus 1½" (3.81 cms)			To minus 2" (5.08 cms)			To minus 2½" (6.35 cms)			To minus 3" (7.62 cms)			3" discharge opening (7.62 cms)			4" discharge opening (10.16 cms)			5" discharge opening (12.10 cms)		
ins	cms	Long tons	Short tons	m³	Long tons	Short tons	m³	Long tons	Short tons	m³	Long tons	Short tons	m³	Long tons	Short tons	m³	Long tons	Short tons	m³	Long tons	Short tons	m³	Long tons	Short tons	m³
16×10	41×25	7-11	8-12	4.2-6.6	9-13	10-15	5.4-7.8	12-16	13-18	7.2-9.6	15-19	17-21	9.0-11.4												
20×12	51×30				16-20	18-22	9.6-12.0	21-25	24-28	12.6-15.0	26-30	29-34	15.6-18.0	31-35	35-39	18.6-21.0									
24×15	61×38				23-27	25-30	13.8-16.2	29-34	32-38	17.4-20.4	34-40	38-45	20.4-24.0	39-47	44-53	23.6-28.2	45-54	50-60	27.0-32.4	50-60	56-67	30.0-36.0			
30×18	75×45							33-38	37-43	19.8-23.0	39-46	43-52	23.6-31.2	46-55	52-62	27.6-33.0	54-63	60-71	32.4-37.8	69-77	77-86	41.6-46.2	83-92	93-103	49.8-55.2

## DATA

Size of mouth		Maximum size of feed		Maximum jaw setting (Discharge opening)		Minimum recommended jaw setting		H.P. required to drive	Revs. per minute	Diameter and face width of drive pulley		Number and size of Vee ropes	Approximate weight			
ins	cms	ins	cms	ins	cms	ins	cms			ins	cms		tons cwts	lbs	kilos	
16×10	41×25	9	22.8	2½	6.4	1	2.5	10-20	300-320	36×7	91×18	6 in number size C	2	12	5,824	2,600
20×12	51×30	11	27.9	3	7.6	1½	3.8	20-35	300-320	36×7	91×18	6 in number size C	4	1	9,072	4,100
24×15	61×38	13½	34.1	4	10.2	1½	3.8	30-45	300-320	40×9	102×23	6 in number size C	8	2	18,144	8,200
30×18	75×45	16	40.1	5	12.7	2	5.0	40-70	300-320	48×9	102×23	8 in number size C	10	0	22,400	10,160

## DIMENSIONS



Size of mouth		A		B		C		D		E		F		G		H		J		K	
ins	cms	ft ins	mts	ft ins	mts	ft ins	mts	ft ins	mts	ft ins	mts	ft ins	mts	ft ins	mts	ft ins	mts	ft ins	mts	ft ins	mts
16×10	41×25	2 8	0.81	2 6	0.76	3 4	1.02	4 1½	1.24	4 11½	1.51	0 3½	0.09	4 2	1.27	2 1½	0.65	3 11½	1.21	3 0	0.91
20×12	51×30	3 0½	0.93	2 10½	0.88	3 10	1.17	4 6½	1.38	5 7½	1.71	0 3½	0.09	4 6½	1.38	2 7	0.79	4 4	1.32	3 0	0.91
24×15	61×38	3 7	1.09	3 5	1.04	4 4	1.32	5 2½	1.59	6 2½	1.89	0 4	0.10	5 3	1.60	3 0	0.91	5 4	1.63	3 4	1.02
30×18	75×45	4 5½	1.36	4 3	1.30	4 9	1.45	5 10½	1.79	7 3	2.21	0 4½	0.11	6 5½	1.66	3 6	1.07	5 10½	1.79	4 0	1.22

All machines supplied in accordance with our Standard Conditions