

KUBITIZER Impact Breaker

Kubitizer – The **genuine PARKER** impact breaker, with three models producing a cubical product at capacities from 40 to 200 tonnes/hour.



STONE CRUSHED BY A
TRADITIONAL JAW CRUSHER



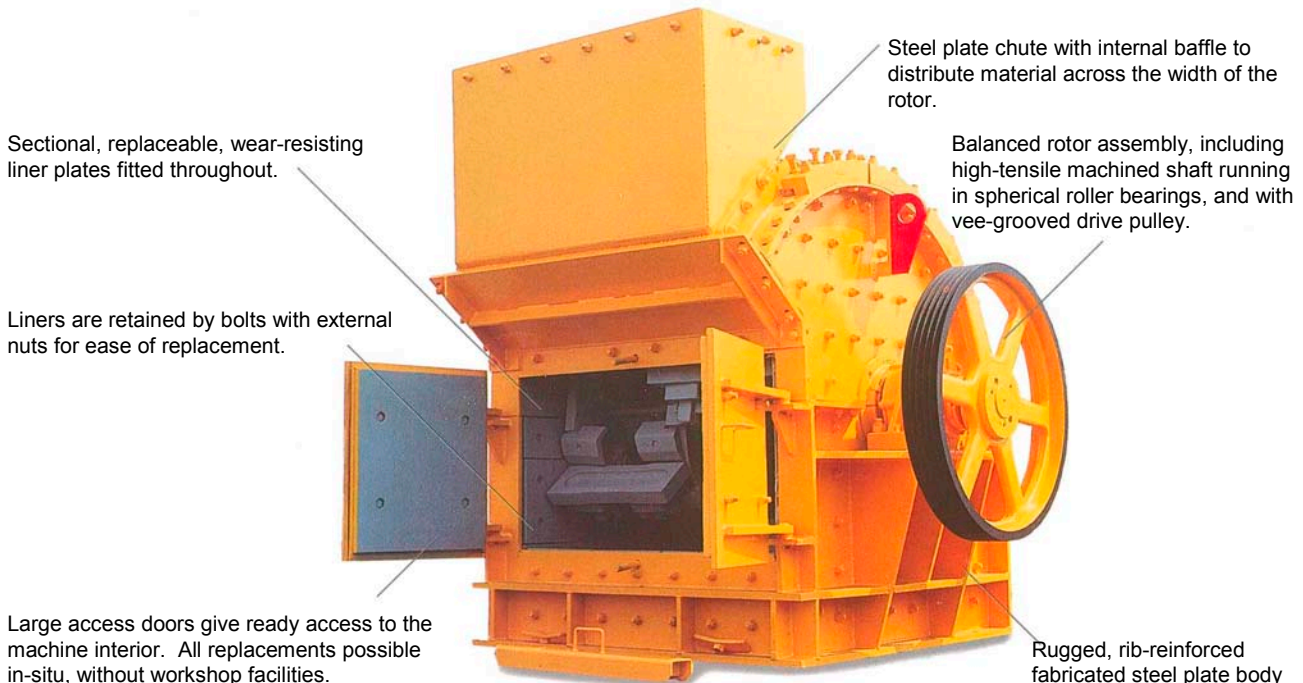
STONE CRUSHED BY A
KUBITIZER IMPACT BREAKER

The feed material is broken along natural lines of weakness (the grain boundaries). Soft material is smashed, leaving a stronger aggregate product.

Choice of operating speed to increase fines production, when required.

All wear components are readily replaced, when required:

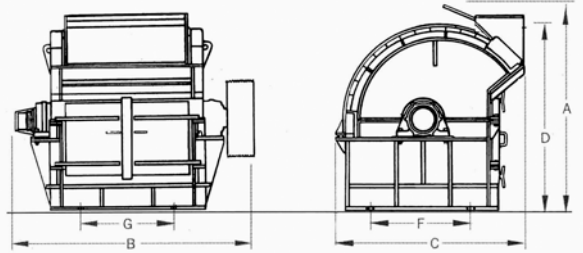
- Wear-resisting manganese steel hammers are fitted to the rotor – reversible for maximum wear life.
- Wear-resisting manganese steel breaker bars form the machine roof/secondary impact surface, and are interchangeable for maximum wear life.
- Wear-resisting alloy liners are fitted to remaining wearing surfaces of the body – sectional design for maximum utilization.



KUBITIZER Impact Breaker

KUBITIZER UNIT DIMENSIONS (mm)

Model	A	B	C	D	E	F	G
102	2,215	1,780	1,880	1,850	670	1,040	900
103	2,215	2,425	1,880	1,850	1,216	1,040	1,460
105	2,670	3,100	2,310	2,505	1,790	1,300	2,060

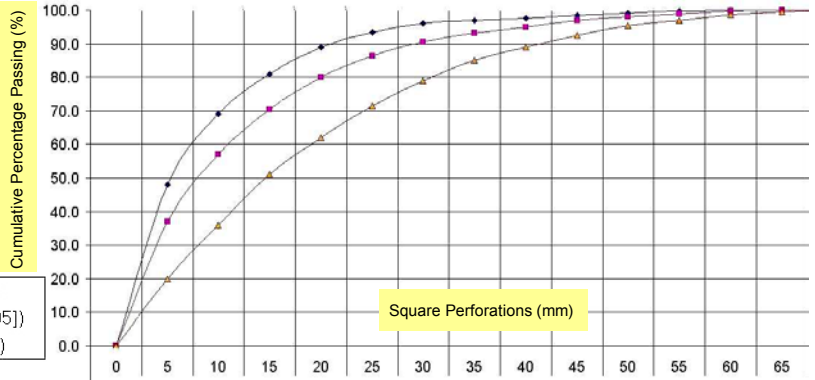


KUBITIZER UNIT DATA

Model	Approx. Capacity		Largest Feed		Speed Max/Min	Drive	Standard Vee Belts	Approx Weight
			Recommended	Occasional				
	Tonnes/h	m ³ /h	mm	mm	r.p.m.	kW	kg	
102	40-50	25-32	125	250	350-550	37	3 SPC	5,080
103	80-100	50-64	125	250	350-550	75	5 SPC	8,332
105	175-200	110-125	175	350	280-450	150	8 SPC	13,970

KUBITIZER SIEVE ANALYSIS - LIMESTONE

NOTE: Capacities and sieve analyses are approximate only and subject to feed material size analysis and physical characteristics.

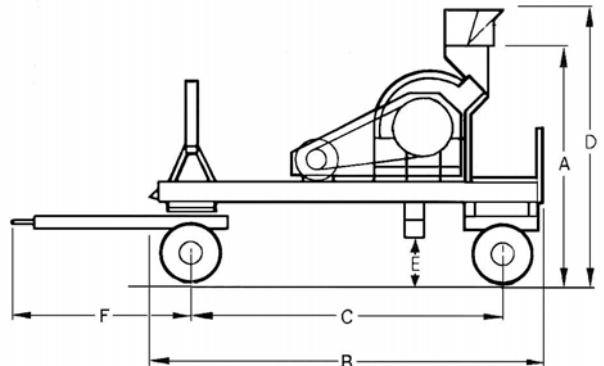


- ◆ A (Fast Speed- 550rpm [102, 103] or 450rpm [105])
- B (Medium Speed- 450rpm [102, 103] or 360rpm [105])
- ▲ C (Slow Speed- 350rpm [102, 103] or 280rpm [105])

The Kubitizer Impact Breaker is incorporated into the **KUBITRANGER KA** (mobile) and **KF/KN** (transportable) impact breaker plants, with electric motor or diesel engine drive.

MOBILE KUBITRANGER DIMENSIONS (mm)

Model	A	B	C	D	E	F
102	3,800	6,000	4,800	4,300	700	2,500
103	3,800	6,000	4,800	4,300	700	2,500
105	4,100	7,300	5,400	4,300	700	2,500



All reasonable steps have been taken to ensure the accuracy of this publication. However, due to continuous development of the products, Parker Plant Limited, reserve the right to change details without notice. All machines supplied in accordance with our standard conditions. Illustrations may show optional equipment.

Parker Plant Limited, P O Box 146, Canon Street, Leicester, LE4 6HD, England

Tel: +44 (0)116 266 5999 Sales Fax: +44 (0)116 261 0812

E-Mail: sales@parkerplant.com Website: www.parkerplant.com